

# Product data sheet

## Characteristics

# 8910DPA32V04

Contactor, Definite Purpose, 30A, 2 pole, 5 HP at 230 VAC, 1 phase, 277 VAC 60 Hz coil, open



Product availability: Stock - Normally stocked in distribution facility

Price\*: 91.38 USD



### Main

Product or component type	Definite Purpose Contactor
Line Rated Current	30 A
Poles description	2P
Pole contact composition	2 NO
Range of product	DPA

### Complementary

Maximum Horse Power Rating	2 Hp 115 V AC, 1 phase 5 Hp 230 V AC, 1 phase
Locked rotor rated current	150 A 460 V AC 120 A 575 V AC 180 A 277 V AC
[Ue] rated operational voltage	600 V AC
[Uc] control circuit voltage	277 V AC 60 Hz
Phase	1 phase
Electrical connection	Binder head Quick connect terminals

### Environment

Product certifications	UL Recognized CSA
------------------------	----------------------

### Ordering and shipping details

Category	21343 - 8910 DPA 3_(30 AMP)
Discount Schedule	CP1B
GTIN	00785901024408
Nbr. of units in pkg.	1
Package weight(Lbs)	16.32 Oz (462.664 g)

Returnability	Yes
Country of origin	CN

### Packing Units

Unit Type of Package 1	PCE
Package 1 Height	2.50 In (6.35 cm)
Package 1 width	3.20 In (8.128 cm)
Package 1 Length	4.20 In (10.668 cm)
Unit Type of Package 2	CAR
Number of Units in Package 2	8
Package 2 Weight	8.52 Lb(US) (3.865 kg)
Package 2 Height	7.00 In (17.78 cm)
Package 2 width	5.60 In (14.224 cm)
Package 2 Length	8.50 In (21.59 cm)

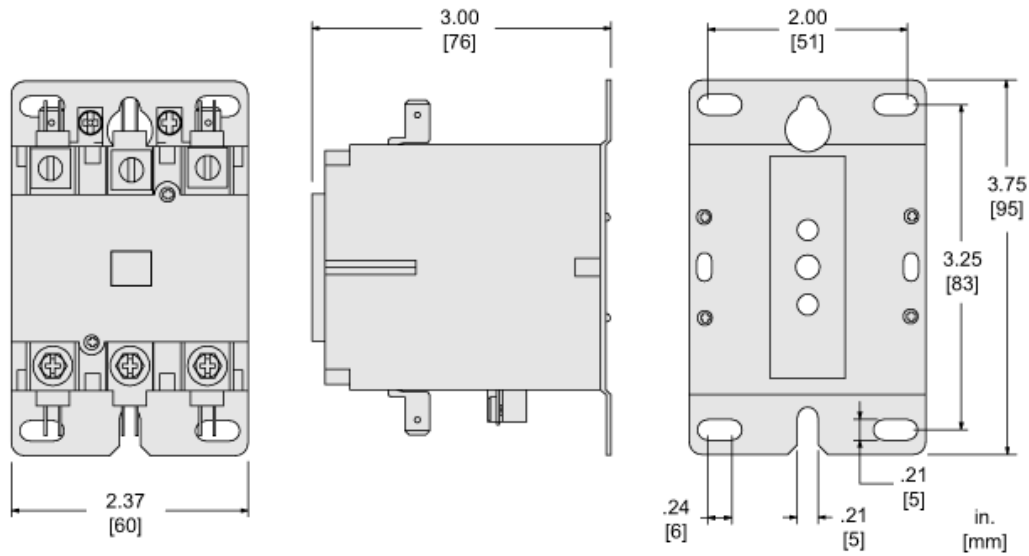
### Offer Sustainability

REACH Regulation	<a href="#">REACH Declaration</a>
EU RoHS Directive	Compliant <a href="#">EU RoHS Declaration</a>
Mercury free	Yes
RoHS exemption information	<a href="#">Yes</a>
China RoHS Regulation	<a href="#">China RoHS Declaration</a>

### Contractual warranty

Warranty	18 months
----------	-----------

Approximate Dimensions



Product Life Status : **Commercialised**